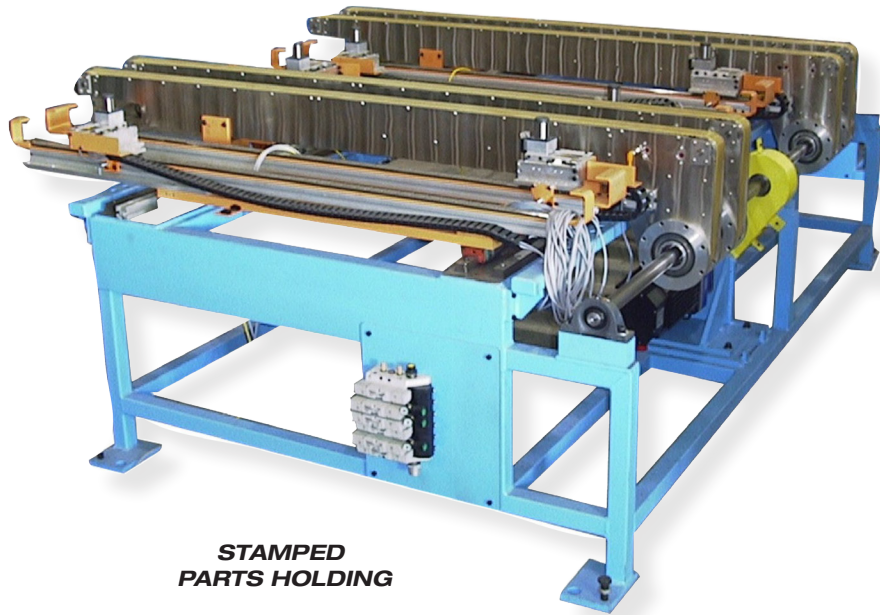




Magnetic Belt Conveyors

Series: MBC



**STAMPED
PARTS HOLDING**



**VERTICAL CAN
HANDLING TRANSFER**

Application

MPI's Magnetic Belt Conveyors provide effective control of ferrous objects on high speed horizontal and inclined to vertical conveyor belts. A permanent or electromagnetic rail located beneath the conveying belt surface attracts the ferrous objects to the belt. MBC conveyors are offered with many design options and can also be supplied with other ancillary components such as feeders, hoppers, etc. to provide a complete material handling system.

Operation

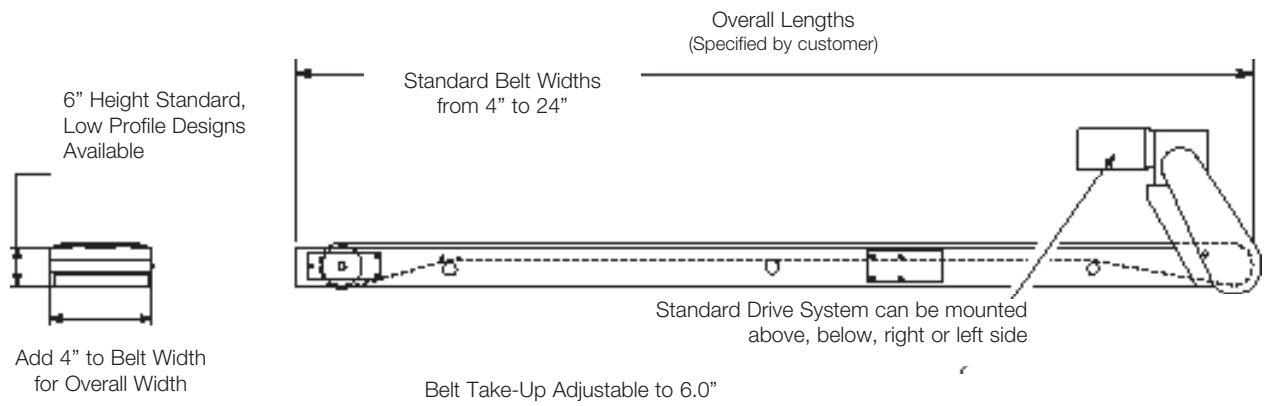
This magnetic attraction acts as a clamping force against the belt causing the ferrous objects to move with the belt and able to overcome any angle of incline or decline. A wide range of styles are available for a variety of belting designs including fabric, table top and stainless steel mesh.

**Specifications subject to change*

Series MBC Version 2.0 © MPI

MPI

683 Town Center Drive, Highland, MI 48356 | p. 800.544.5930 | f. 248.887.6100
info@mpimagnet.com | www.mpimagnet.com

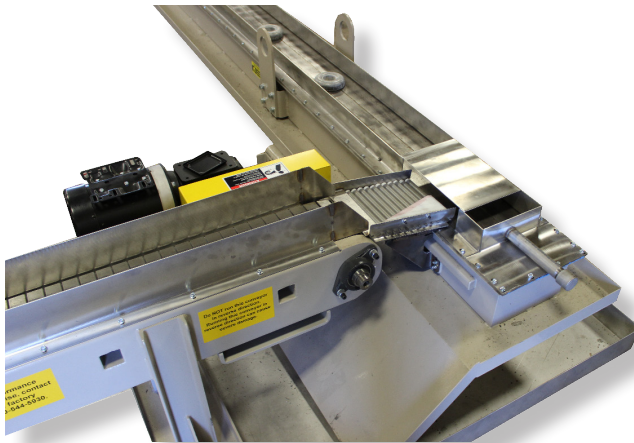


Specific features

- Standard belt widths from 4" to 24"
- Belt take-up adjustable to 6.0"
- Standard drive system can be mounted above, below, right or left side
- 6" height standard; low profile designs available

Example of Custom Options

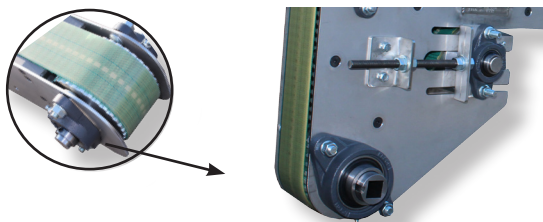
BLM PARTS HANDLING



BULK-VERTICAL FEEDING



SWITCHABLE MAGNETIC CONVEYOR



*Specifications subject to change

Series MBC Version 2.0 © MPI

MPI

683 Town Center Drive, Highland, MI 48356 | p. 800.544.5930 | f. 248.887.6100
 info@mpimagnet.com | www.mpimagnet.com